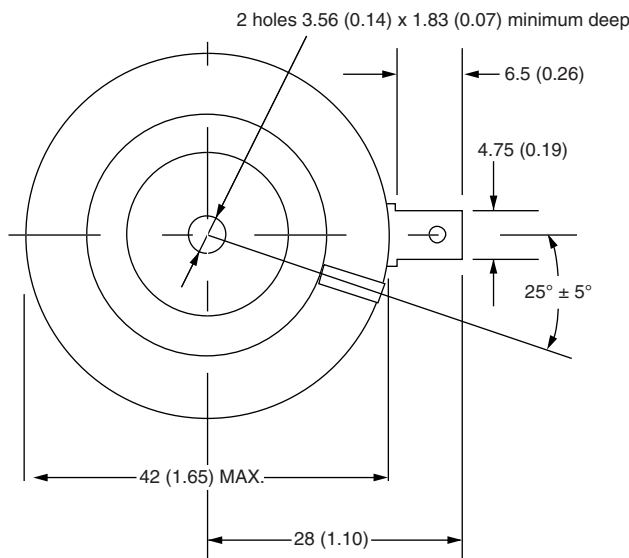
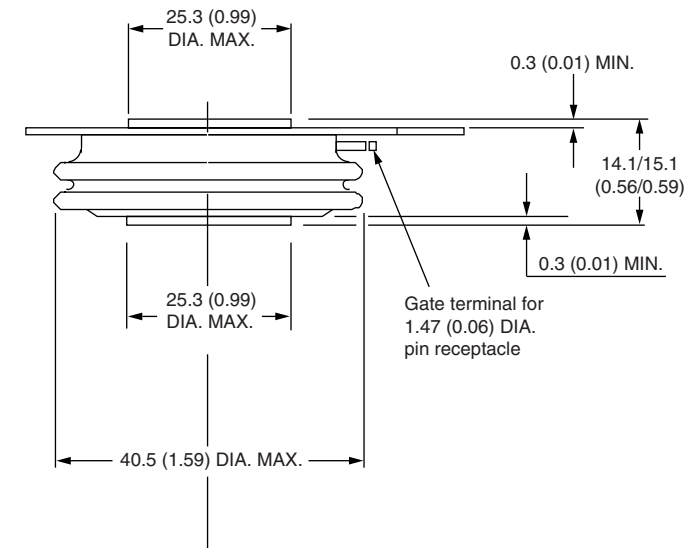


## TO-200AB (E-PUK)

**DIMENSIONS** in millimeters (inches)

### Case Style TO-200AB (E-PUK)

Anode to gate  
 Creepage distance: 11.18 (0.44) minimum  
 Strike distance: 7.62 (0.30) minimum



Quote between upper and lower pole pieces has to be considered after application of mounting force (see thermal and mechanical specification)